



Farmbot

#enterthegardens



**Co-funded by
the European Union**



NOVATEX
SOLUTIONS.EU

Funded by the European Union. Views and opinions expressed are however those of the author(s) only and do not necessarily reflect those of the European Union or the European Education and Culture Executive Agency (EACEA). Neither the European Union nor EACEA can be held responsible for them. Project Number 2022-1-CY01-KA201-ADU-000082889

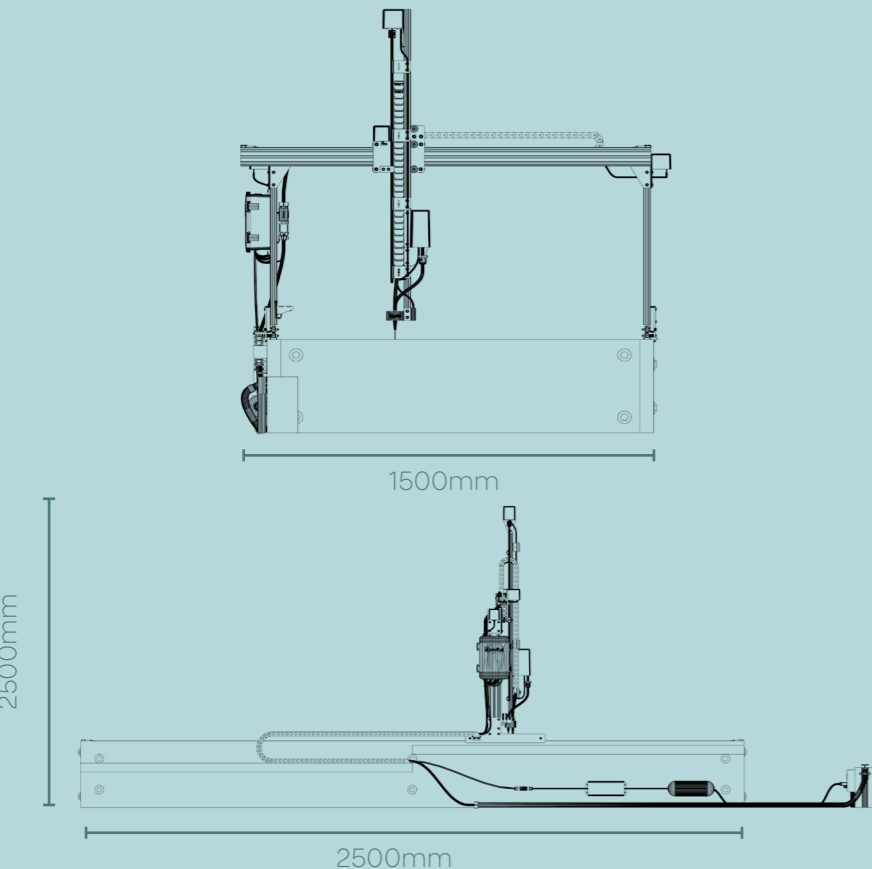
FarmBot Open Source Farming

Farm-to-Table

Grow food for yourself, your family, and your community by installing FarmBot on a raised bed, urban rooftop, or in a small greenhouse at home. Enjoy the freedom of food sovereignty and knowing things are taken care of when heading out of town. Fully automated, hyper-local food production has never been so attainable.

Open Source

FarmBot is 100% Open-Source and built to respect your freedom. Scan the QR Code to view the step-by-step assembly instructions to get your FarmBot up and running. Then dive into the CAD models, schematics, and bill of materials to modify, repair, and build upon your FarmBot.



Open Source Files:



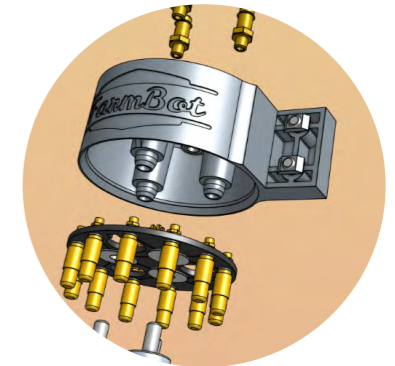
Dimensions:
Width: 1500mm
Length: 2500mm
Height: 1550mm

Capacity:
Up to 50 plants.
60L of Soil.

Author:
FarmBot.io

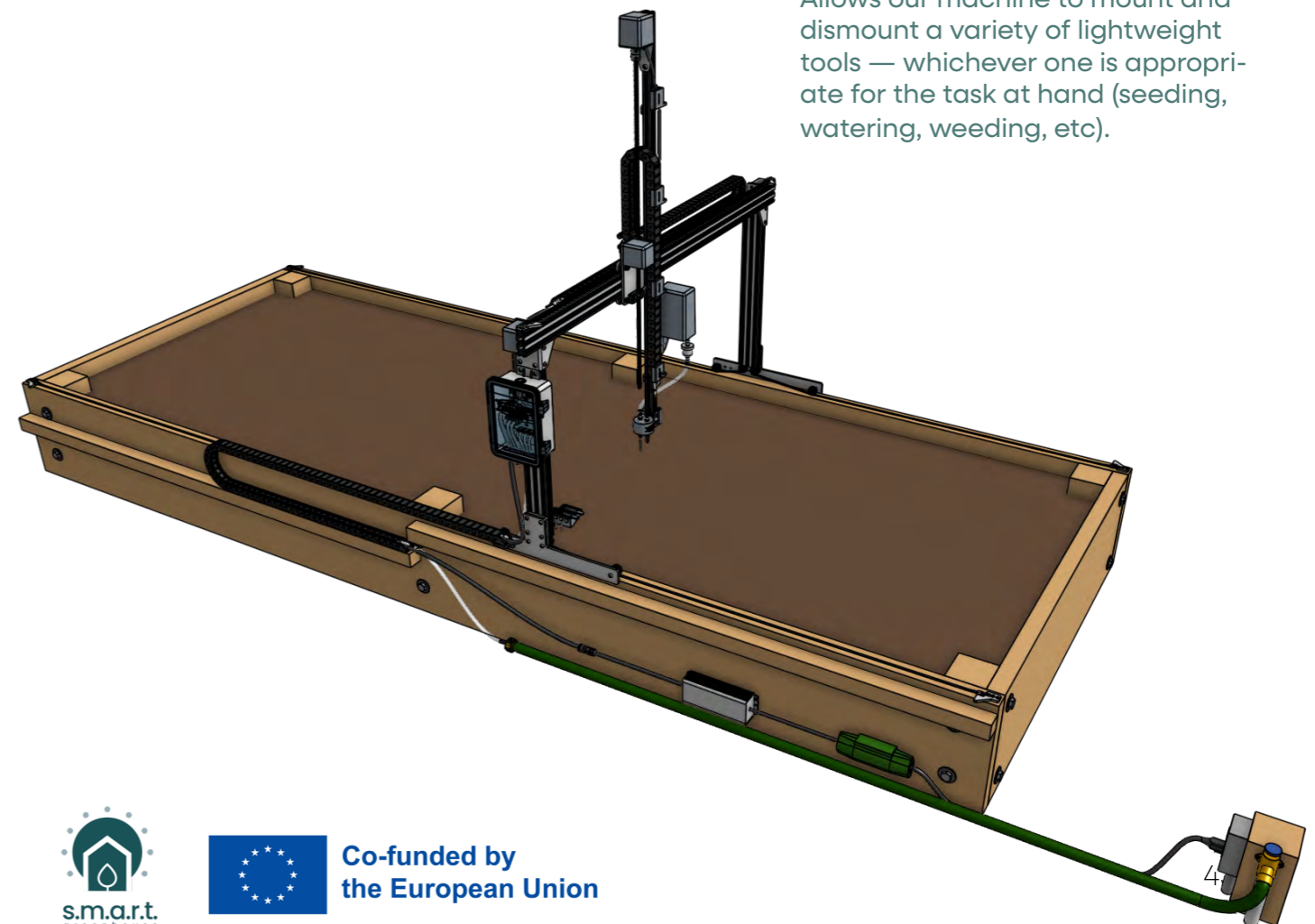
FarmBot App

Using the manual controls you can send movement commands, operate any of the peripherals, or even use a virtual version of the electronics box buttons. With just a tap, take photos of your veggies, turn the lights on for a night time harvest, or impress the neighbors with a quick demo.



Universal Tool Mount

Allows our machine to mount and dismount a variety of lightweight tools — whichever one is appropriate for the task at hand (seeding, watering, weeding, etc).



Co-funded by
the European Union

“The S.M.A.R.T Greenhouse Project successfully tackles the four categories of wasted values: wasted resources, wasted capacity, wasted life-cycles and wasted embedded values.”

