



Kitchen Table

#enterthegardens



**Co-funded by
the European Union**



NOVATEX
SOLUTIONS.EU

Funded by the European Union. Views and opinions expressed are however those of the author(s) only and do not necessarily reflect those of the European Union or the European Education and Culture Executive Agency (EACEA). Neither the European Union nor EACEA can be held responsible for them. Project Number 2022-1-CY01-KA201-ADU-000082889

Garden Modules

Open Source Kitchen Table

The open-source kitchen is built with sustainability at its core, designed to be modular, adaptable, and easy to replicate. By utilizing an open-source model, we invite others to build, modify, and improve upon the design, spreading sustainable practices and reducing the need for new materials. Each of the three main modules: washing, cooking, and serving, is crafted to be durable and multifunctional. The kitchen table supports educational dinners within the greenhouse, creating an interactive space for learning about sustainable food practices and design.



4 QUALITY EDUCATION



12 RESPONSIBLE CONSUMPTION AND PRODUCTION



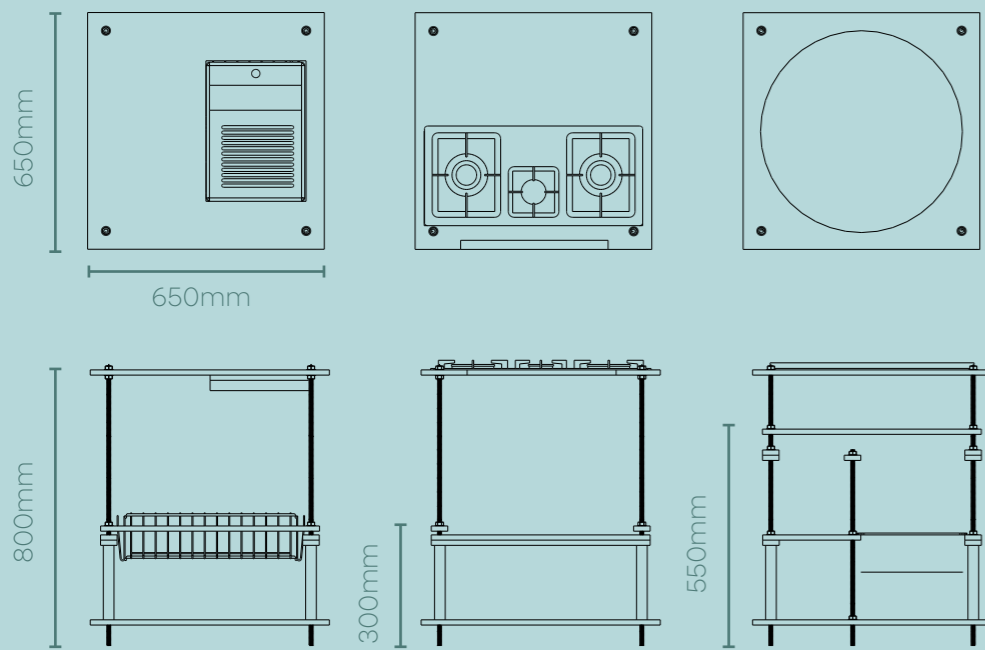
13 CLIMATE ACTION



Washing Module

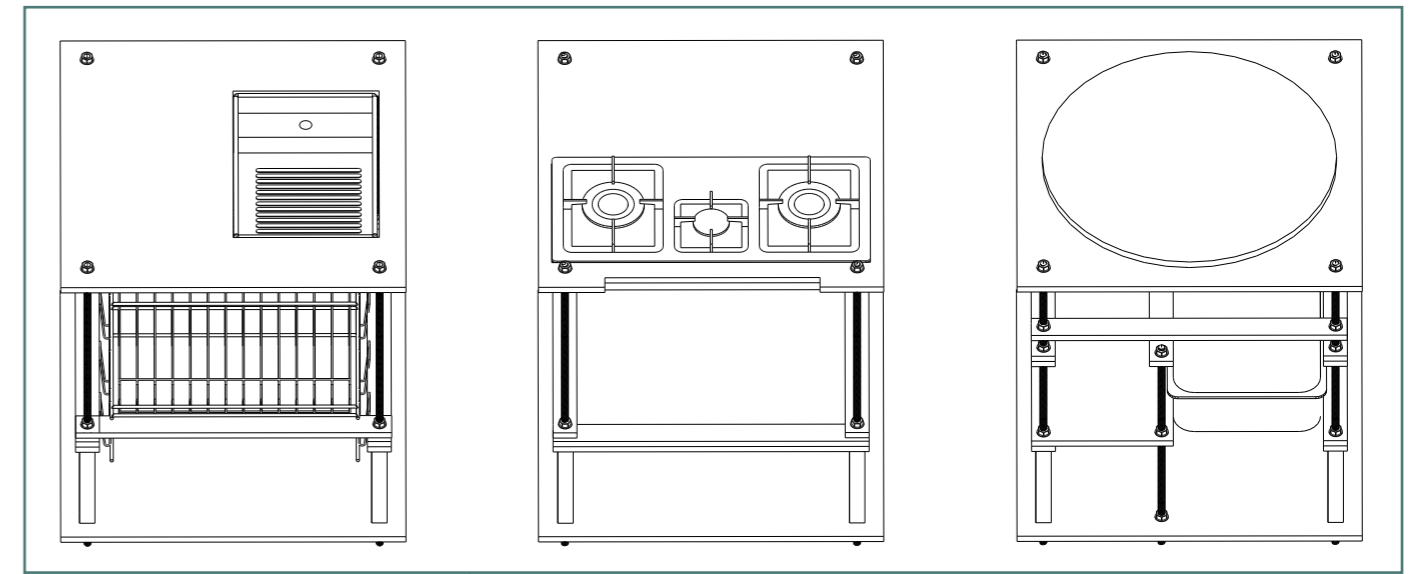
Cooking Module

Serving Module

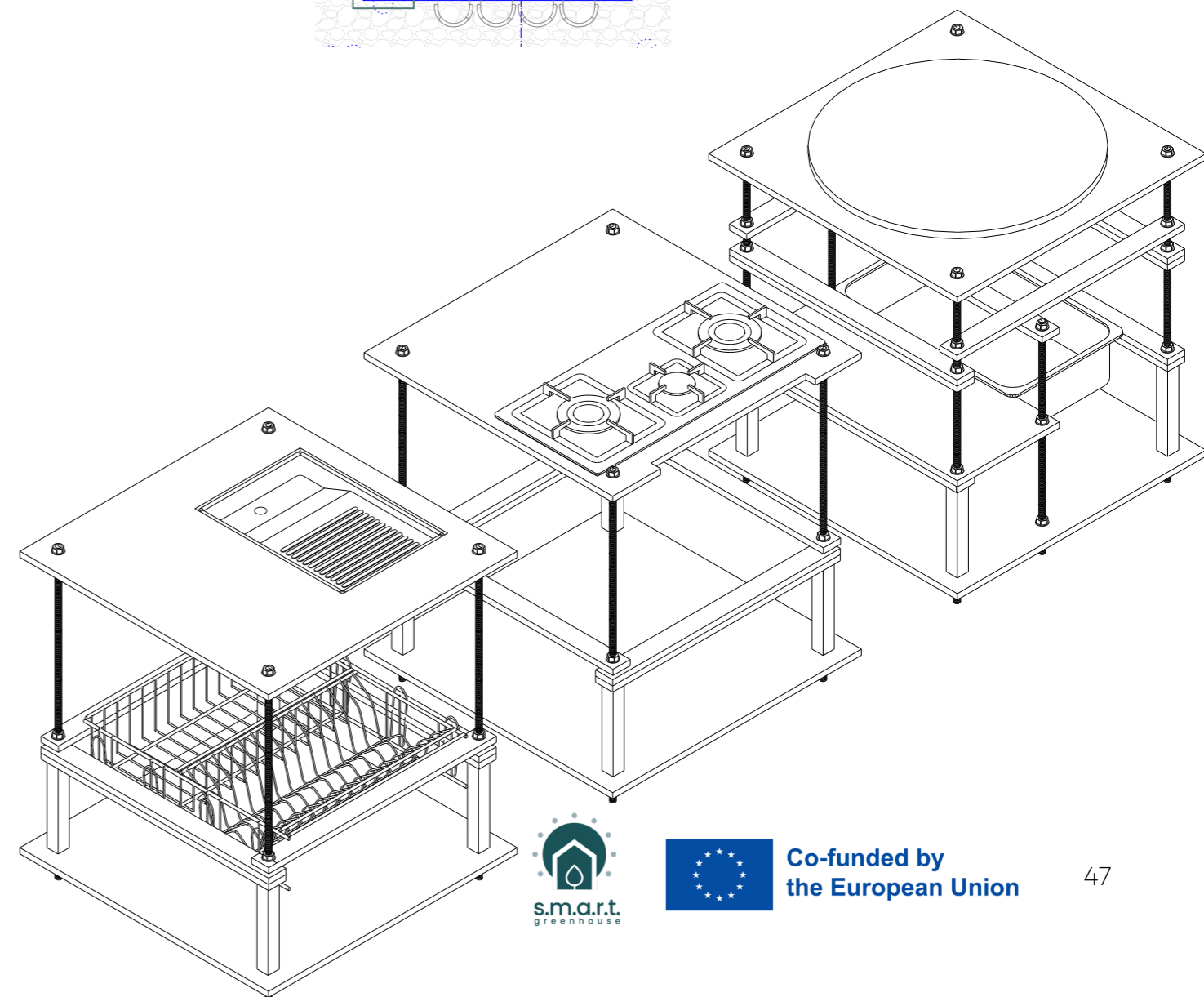
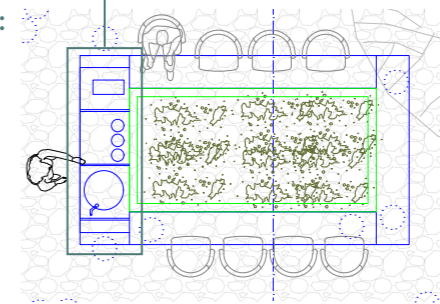


Dimensions:
 Individual Module
 Width: 650mm
 Length: 650mm
 Height: 800mm

Author:
 Soumela Mekanika
 University of Thessaly,
 Department of
 Architecture



Educational Dinner Setup:



Co-funded by the European Union

**“We do not live in earth,
we ARE earth. The more we
change our lifestyle and
fast- consuming behaviour
the more we save our
planet”.**

